

banks

with Installation Instructions

Owner's Manual

Banks Monster[®] Exhaust System Dual-Tip

**2008-2010 Ford Power Stroke 6.4L
Turbo-Diesel F250/F350 Trucks**

THIS MANUAL IS FOR USE WITH SYSTEM 49784, 49785

Gale Banks Engineering
546 Duggan Avenue • Azusa, CA 91702
(626) 969-9600 • Fax (626) 334-1743

Product Information & Sales: (888) 635-4565
Customer Support: (888) 839-5600
Installation Support: (888) 839-2700

bankspower.com

banks

Product available from Banks Power for 2008-2010 Ford 6.4L



Banks iQ® System (P/N 61155)

- 5" touchscreen interface that can control the Banks Diesel Tuner and/or SpeedBrake on the fly.
- Interchangeable gauge display, read and clear codes, monitor engine diagnostics, log data, time your vehicles runs and much more.

Banks Monster® Exhaust System (Single and Dual P/N 49780-49787)

- Increases exhaust flow, cuts backpressure, lowers exhaust gas temperatures (EGTs) and increases power.

Banks Ram-Air® Intake System (P/N 42185)

- Increases your airflow over stock.
- Adds power, improves fuel economy, lowers EGTs and reduces smoke.

Banks Techni-Cooler® System (P/N 25984)

- Provides increased air flow to the engine by increasing air density for more increased power, lower EGTs and improved fuel economy.

Banks Brake® (P/N 55469)

- Increases the stopping power of your truck and extends the service life of your brakes

Banks SpeedBrake™ (P/N 55464)

- Allows for controlled hill decent at a user defined vehicle speed.

Banks Diesel Tuner Six-Gun® (P/N 63907)

- Adds power safely to your vehicle
- Engine and transmission safeguards
- Change power levels on-the-fly

**For More Information please call (888) 635-4565
or Visit us online @ www.bankspower.com**

**AutoMind® Programmer
(P/N 66100)**

- Contains Banks tunes that boost your vehicles HP, Torque and MPG.
- Displays a host of critical engine functions
- Provides "service technician" diagnostic capabilities
- Has upgradeable functionality, so it will never be out of date

**Six-Gun® Bundle
(P/N 46652-46655)**

Contains:

- Monster Exhaust (single and dual)
- Ram-Air Intake
- Six-Gun Tuner w/ Banks iQ

**Big Hoss® Bundle
(P/N 46656-46659)**

Contains:

- Monster Exhaust (single and dual)
- Ram-Air Intake
- Six-Gun Tuner w/ Banks iQ
- Techni-Cooler

General Installation Practices

Dear Customer,

If you have any questions concerning the installation of your Banks Power System, please call our Technical Service Hotline at (888) 839-2700 between 7:00 am and 5:00 pm (PT). If you have any questions relating to shipping or billing, please contact our Customer Service Department at (888) 839-5600.

Thank you.

- 1.** Before starting work, familiarize yourself with the installation procedure by reading all of the instructions.
- 2.** The exploded view (**Figure 1**, pages 6-7) provides only general guidance. Refer to each step and section diagram in this manual for proper instruction.
- 3.** Throughout this manual, the left side of the vehicle refers to the driver's side, and the right side to the passenger's side.
- 4.** Disconnect the negative (ground) cable from the battery (or batteries, if there are two) before beginning work.
- 5.** Route and tie wires and hoses a minimum of 6" away from exhaust heat, moving parts, and sharp edges. Clearance of 8" or more is recommended where possible.
- 6.** When raising the vehicle, support it on properly weight-rated safety stands, ramps or a commercial hoist. Follow the manufacturer's safety precautions. Take care to balance the vehicle to prevent it from slipping or falling. When using ramps, be sure the

front wheels are centered squarely on the topsides. When raising the front of the vehicle, put the transmission in park (automatic) or reverse (manual), set the parking brake, and block the rear wheels. When raising the back of the vehicle, be sure the vehicle is on level ground and the front wheels are blocked securely.

CAUTION! Do not use floor jacks to support the vehicle while working under it. Do not raise the vehicle onto concrete blocks, masonry or any other item not intended specifically for this use.

7. During installation, keep the work area clean. Do not allow anything to be dropped into intake, exhaust, or lubrication system components while performing the installation, as foreign objects will cause immediate engine damage upon start-up.

Tools Required:

- 1/2" and 3/8" drive ratchets with inch and metric sockets and 1/2" and 3/8" drive extension
- Inch and metric combination or open-end wrenches
- Standard screwdriver
- Clean shop towels or rags
- Pry-bar
- Reciprocating saw

Highly recommended tools and supplies:

- Foot-pound torque wrench
- Penetrating oil or light lubricant spray

Monster Exhaust System Installation

1. As a precaution, disconnect the ground of the battery (if there is more than one battery, disconnect both).
2. Raise the vehicle and support it with properly weight rated safety stands, ramps or a commercial hoist. Follow the manufacturer's safety precautions. Take care to balance the vehicle to prevent it from slipping or falling. When using ramps, be sure the front wheels are centered squarely on the topsides; place the transmission in park; set the parking brake and place blocks behind the rear wheels.

CAUTION: DO NOT WORK UNDER ANY VEHICLE SUPPORTED ONLY BY A JACK. SEVERE INJURY MAY RESULT.

WARNING! The following step may require the use of a torch and/or saw. Proper safety equipment should be used. Failure to use proper safety equipment may result in severe injury.

3. Starting at the rear of the vehicle, remove the tailpipe near the intermediate pipe clamps by cutting through the connection or by removing the clamps and heating the joints with an oxy-acetylene torch to allow crimped pipes to separate. Remove the tailpipe from the vehicle.
4. Remove the clamps on the Diesel Particulate Filter to intermediate pipe. **TAKE CAUTION NOT TO CUT OR DAMAGE THE DIESEL PARTICULATE FILTER TUBING DURING THE REMOVAL PROCESS.** Separate the intermediate pipe to Diesel Particulate Filter connection.

NOTE: The use of an oxy-acetylene torch may be necessary. Remove the intermediate pipe hanger pins from the rubber hangers with a pry bar (Spray lubricant will ease hanger removal) and remove the intermediate pipe assembly from the vehicle.

5. Locate the supplied Banks Intermediate pipe and cut the Intermediate pipe based on the following configurations. See **Table**

1. Cut the NON-swaged end of the intermediate pipe. See **Figure 2**.

6. Install a 3½" exhaust clamp onto the front of the Banks Intermediate pipe. Install the Intermediate pipe onto the Diesel Particulate Filter outlet. Loosely snug the 3½" clamp.

7. **For Crew Cab Long Bed Models Only, all other models skip to step 9.**

Slide the supplied hanger clamp onto the Intermediate pipe. Insert the hanger pin into the factory rubber hanger.

8. Locate the supplied Extension pipe for the Crew Cab Long Bed model. Install supplied 4" exhaust clamp onto the inlet of the Extension pipe. Install Extension pipe onto the Intermediate pipe and loosely snug the exhaust clamp.

9. Install the rear hanger clamp onto the intermediate pipe outlet with the hanger pins facing the front of the vehicle. Insert the two (2) hanger pins into the rear rubber hangers and adjust the hanger clamp to a position that best supports the intermediate pipe. (see **Figure 3**).

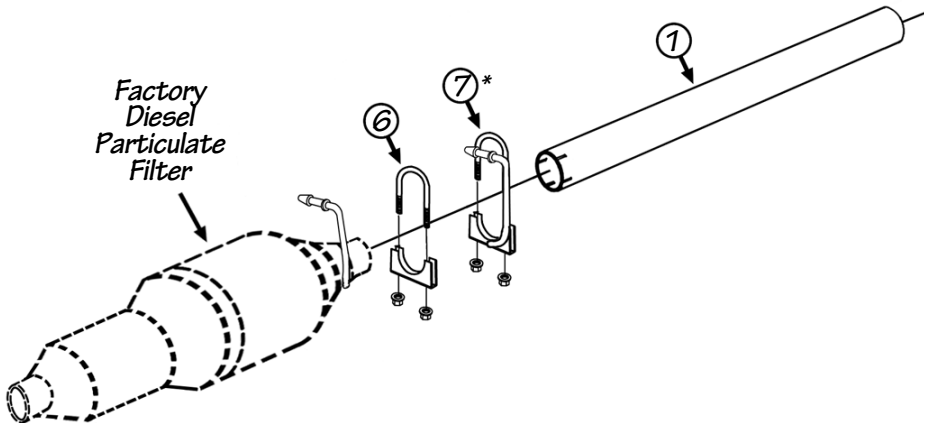
General Assembly Diagram

Figure 1

| Item | Description | P/N | Qty. |
|------|--------------------------|-------|------|
| 1 | Intermediate Pipe | 53990 | 1 |
| 2* | Extension Pipe | 53987 | 1 |
| 3 | Tailpipe | 53991 | 1 |
| 4 | Dual Tip Assembly | 53992 | 1 |
| 5 | Monster Tip | 52718 | 2 |
| 6 | Exhaust Clamp, 3½" | 52468 | 1 |
| 7* | Hanger Clamp, 4" | 53986 | 1 |
| 8** | Exhaust Clamp, 4" | 52470 | 1 |
| 9 | Rear Hanger Clamp, 4" | 52989 | 1 |
| 10 | Exhaust Band Clamp, 3.5" | 52497 | 2 |
| 11 | Urocal, Bank Power | 96009 | 2 |

* For Crew Cab Long Bed only.

** Crew Cab Long Bed contains two (2) 4" Exhaust Clamp.



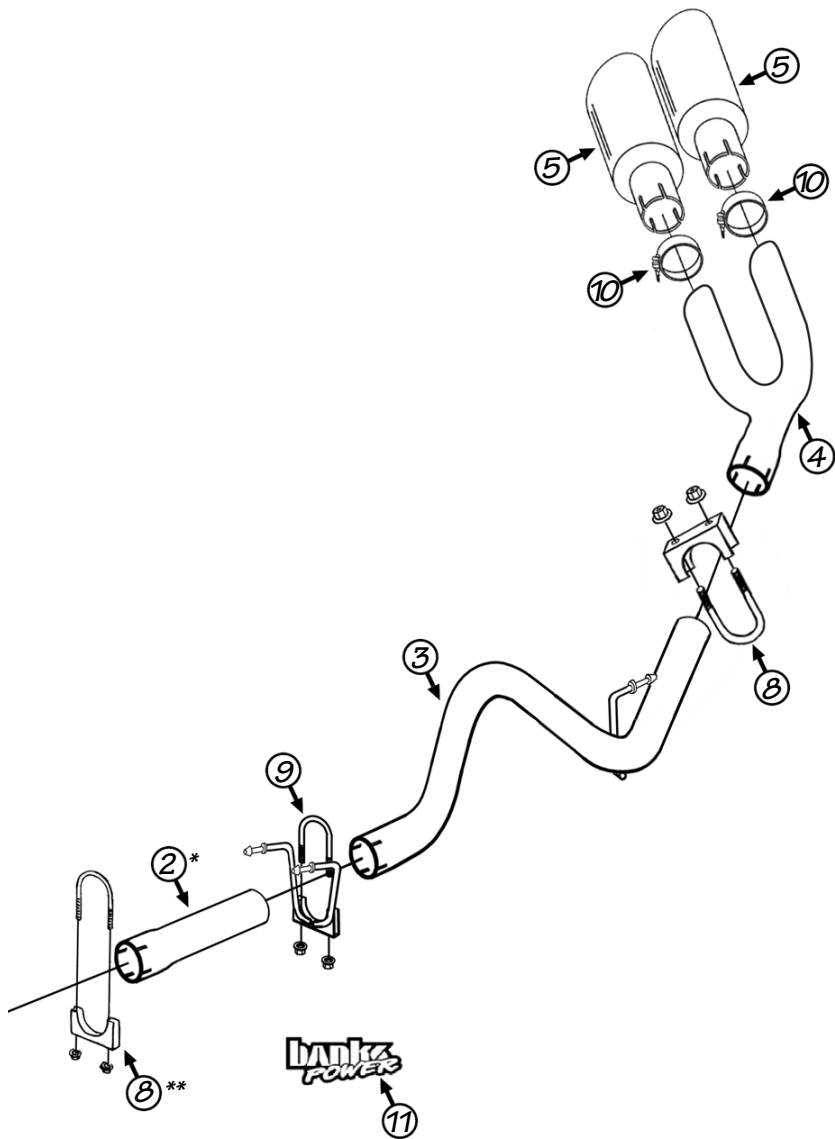


Figure 2

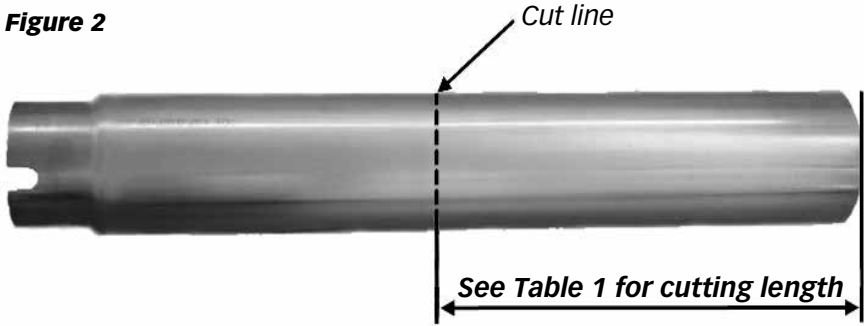


Table 1

2008-2010 Ford Power Stroke 6.4L

| | Wheel Base | Cut this length from the Intermediate Pipe. See Figure 2 . |
|----------------------|------------|---|
| Super Cab/ Short Bed | 141.8" | 20" |
| Crew Cab/ Short Bed | 156.2" | No Cut |
| Crew Cab/ Long Bed | 172.4" | No Cut |

Figure 3

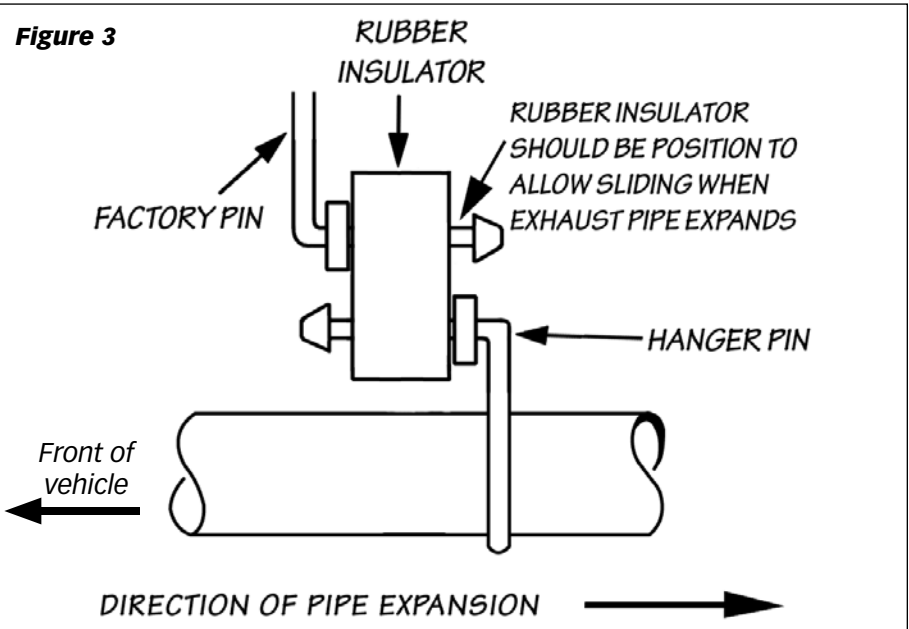


Figure 4 Placement of template on Passenger side rear undercarriage lining.



10. Route the Tailpipe over the rear axle housing. Start the tailpipe hanger pin into the corresponding vehicle rubber hanger. Position the rubber hanger as shown in **Figure 3**. Install the Tailpipe onto the Banks Intermediate pipe outlet. Slide the hanger clamp into position and loosely snug the rear hanger clamp.

11. Install the 4" exhaust clamp onto the inlet of the Dual Tip Assembly. Install the Dual Tip Assembly over the outlet of the Tailpipe. Slide the 4" clamp into position that best supports the Dual Tip Assembly to the Tailpipe.

*NOTE: The clamp on the Dual Tip Assembly may be adjusted such that the position is aesthetically pleasing. See **Figure 1**.*

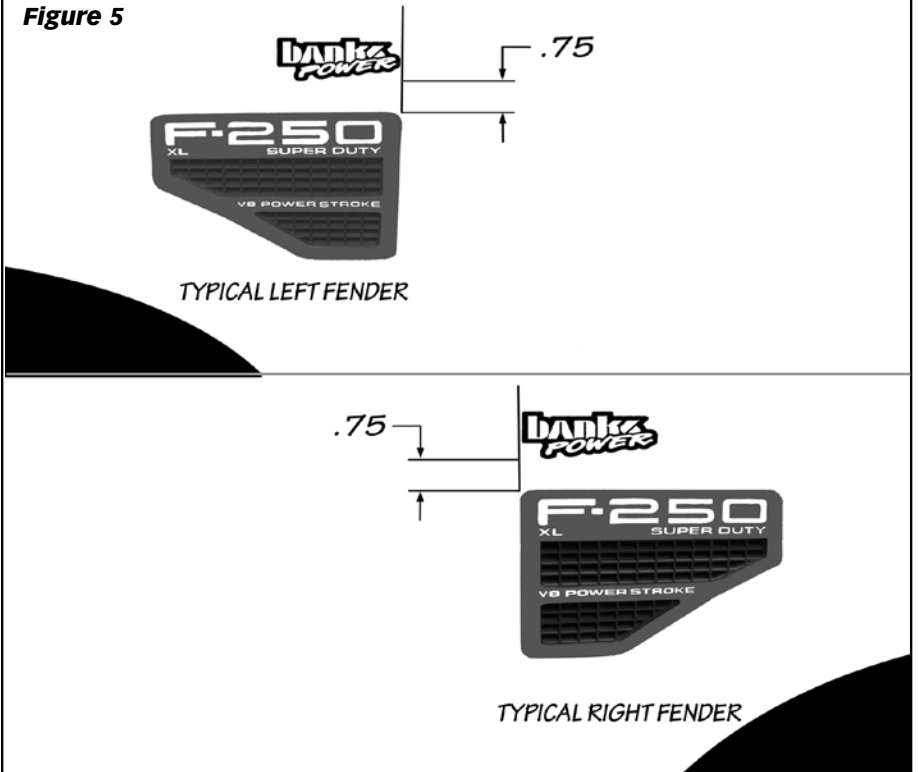
12. Locate the supplied exhaust band clamps and install them over the inlets of the Monster tips. Install the Monster tips onto the outlets of the Dual tip assembly. Lightly tighten the exhaust band clamps to secure the Monster tips to the Dual Tip Assembly.

13. Adjust the Monster Tips and Dual Tip Assembly under the rear fender such that the tip position is aesthetically pleasing.

14. Use **Template 1** to trim the rear undercarriage fender lining as shown in **Figure 4**.

15. With everything positioned properly, begin to tighten the clamps starting with the ones closest to the turbo and working your way back. Evenly torque the exhaust clamps to 35 ft-lbs. Make sure that each slip is fully inserted (+/- 1/4 inch).

Figure 5



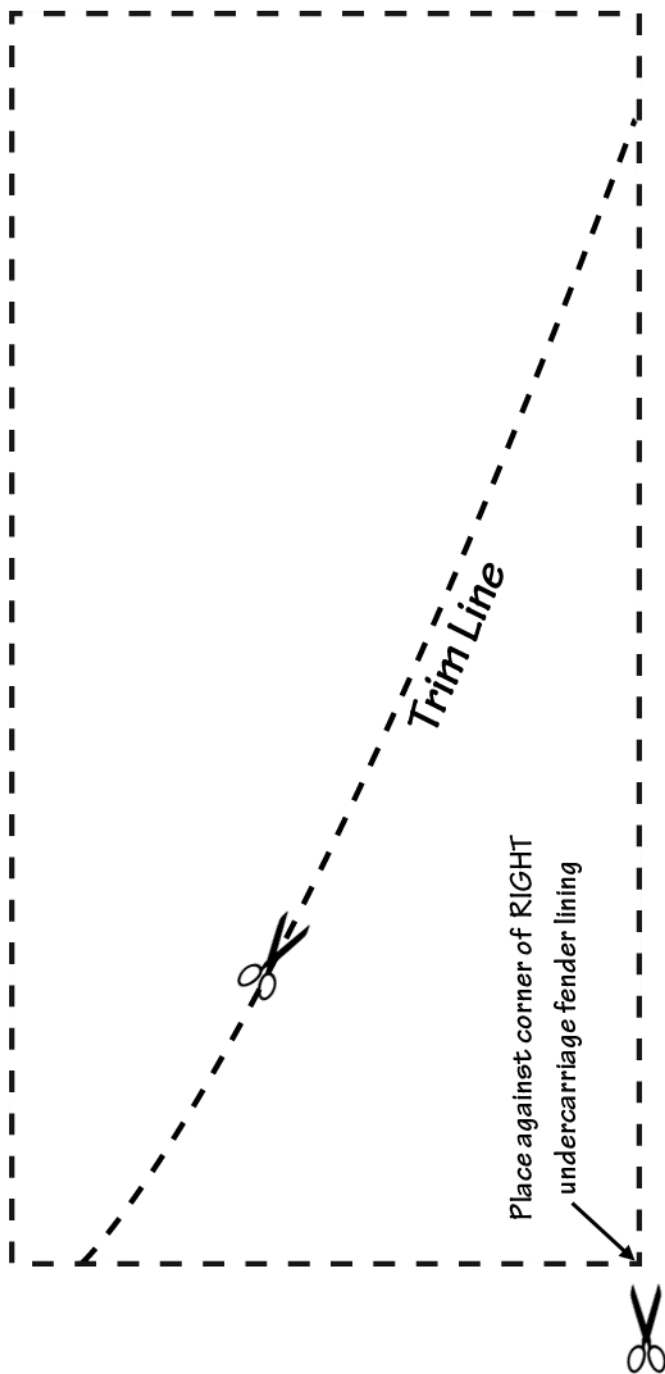
16. Remove the protective covering from the Dual Tip Assembly.

CAUTION: The protective covering may ignite and burn if not removed prior to running the engine.

17. Your system includes two “Banks Power” logos designed to complement the Ford badging on your truck. Use the provided measurements (see **Figure 5**) to position the logos for a clean factory look.

18. Re-connect battery terminals if previously removed. Banks Monster Exhaust installation is now complete.

Template 1



Gale Banks Engineering
546 Duggan Avenue • Azusa, CA 91702
(626) 969-9600 • Fax (626) 334-1743

Product Information & Sales: (888) 635-4565
Customer Support: (888) 839-5600
Installation Support: (888) 839-2700

bankspower.com