

banks

Owner's Manual with Installation Instructions

Banks Revolver[®] Exhaust Manifold

Jeep 4.0L I-6 models including:

'91-99 Wrangler

'91-99 Cherokee

'93-98 Grand Cherokee

'91-92 Comanche

THIS MANUAL IS FOR USE WITH SYSTEM 51327

Gale Banks Engineering
546 Duggan Avenue • Azusa, CA 91702
(626) 969-9600 • Fax (626) 334-1743

Product Information & Sales: (888) 635-4565
Customer Support: (888) 839-5600
Installation Support: (888) 839-2700
bankspower.com

banks

General Installation Practices

Dear Customer,

If you have any questions concerning the installation of your Banks Power system, please call our Technical Service Hotline at (888) 839-2700 between 7:00 am and 5:00 pm (PT). If you have any questions relating to shipping or billing, please contact our Customer Service Department at (888) 839-5600.

Thank you.

1. For ease of installation of your Banks Revolver Manifold, familiarize yourself with the procedure by reading the entire manual before starting work.

2. Throughout this manual, the left side of the vehicle refers to the driver's side, and the right side to the passenger's side.

3. Disconnect the ground cable from the battery before beginning work. If there are two batteries, disconnect both.

4. Route and tie wires and hoses a minimum of 6 inches away from exhaust heat, moving parts and sharp edges. Clearance of 8 inches or more is recommended where possible.

5. When raising the vehicle, support it on properly weight-rated safety stands, ramps or a commercial hoist. Follow the manufacturer's safety precautions. Take care to balance the vehicle to prevent it from slipping or falling. When using ramps, be sure the front wheels are centered squarely on the topsides; put the transmission in park; set the hand brake; and place blocks behind the rear wheels.

CAUTION! Do not use floor jacks to support the vehicle while working under it. Do not raise the vehicle

onto concrete blocks, masonry or any other item not intended specifically for this use.

6. During installation, keep your work area and components clean to avoid possible dirt entry into the engine.

7. For proper performance from your Banks components and to prevent engine damage, it is essential that your engine's fuel system be capable of delivering fuel at the factory's specification. We have often found vehicles with inadequate low pressure side fuel delivery that isn't apparent until performance modifications are made.

Tools Required:

- 1/4" and 3/8" drive ratchets with inch and metric sockets and 3/8" drive extension
- Inch and metric combination or open-end wrenches
- Standard and Phillips head screwdrivers
- Standard and needle-nose pliers
- Pocket or X-Acto knife
- Clean shop towels or rags
- Inch-pound and foot-pound torque wrenches

Highly recommended tools and supplies:

- Compressed air source and hoses
- Penetrating oil or light lubricant spray
- 9/16" swivel socket
- Floor jack and jack stands
- Fuel-line quick disconnect tool

Product available from Banks Power for the 1991-1999 Jeep 4.0L



Banks Monster® Exhaust System (P/N 51311, 51312)

-Increases exhaust flow, cuts backpressure, lowers exhaust gas temperatures (EGTs) and increases power.

Banks Ram-Air Intake System (P/N 41816)

-Increases your airflow over stock.
-Adds power, improves fuel economy, lowers EGTs and reduces smoke.

For More Information please call (888) 635-4565
or Visit us online @ www.bankspower.com

Exhaust Manifold Installation

NOTE: Do not wrap manifold. Wrapping the Revolver Manifold with exhaust wrap or thermo tape will void the Revolver Manifold warranty. Exhaust wrapping can cause the manifold to crack and rust. The Revolver Manifold has been designed to operate efficiently and protect the engine components without the use of wrapping.

- 1.** Remove the air inlet hose from the throttle body and move it aside. On some models, the air box assembly may need to be removed in order to relocate the air inlet hose (See **Figure 1**).
- 2.** On the intake manifold assembly, remove the throttle cable, transmission pressure cable and cruise control cable (if equipped) located inside the engine compartment.
- 3.** Disconnect any electrical connectors and vacuum lines on the intake manifold and throttle body. Be sure to label the lines to ensure correct replacement.

- 4.** Remove the fuel line. Some models may require a special tool. If necessary refer to service manual for more info.
- 5.** Disconnect and separate O₂ sensor and coupling from mounting bracket as needed.
- 6.** Loosen the power steering set screws located on the pump. Loosen belt tensioner and remove the power steering belt. Next, disconnect the power-steering pump and bracket from the intake manifold.
- 7.** Remove the hardware from headpipe and disconnect the head pipe from the exhaust manifold (see **Figure 2**).
- 8.** Loosen intake/exhaust bolts 3, 6 and 7, but do NOT remove (see **Figure 3**). These bolts act as supports for the exhaust manifold. Remove all remaining intake / exhaust manifold bolts and set aside hardware for re-assembly (a $\frac{9}{16}$ " swivel socket may save time).

Figure 1

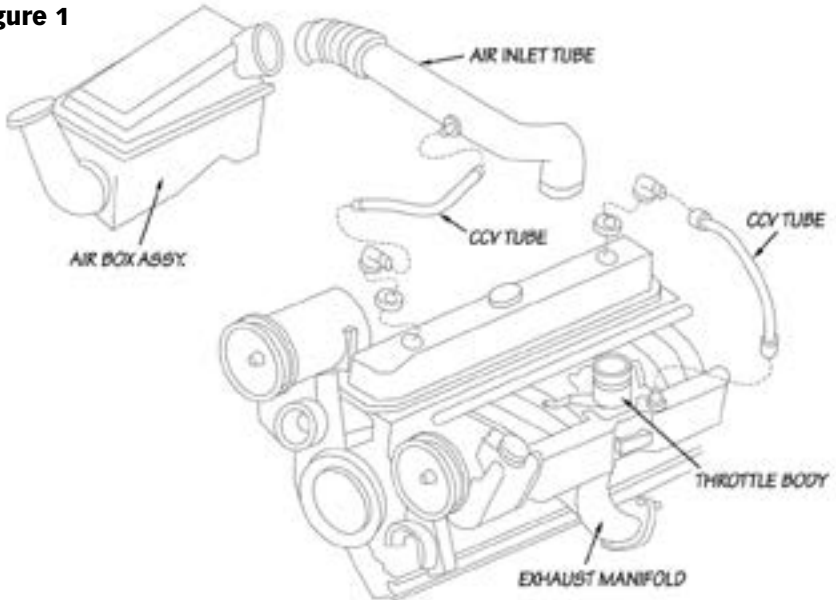
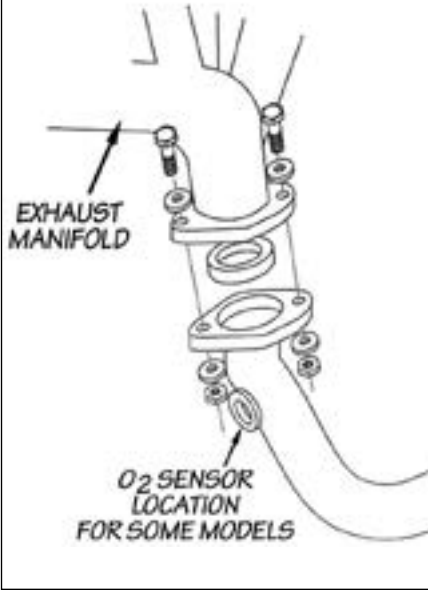


Figure 2



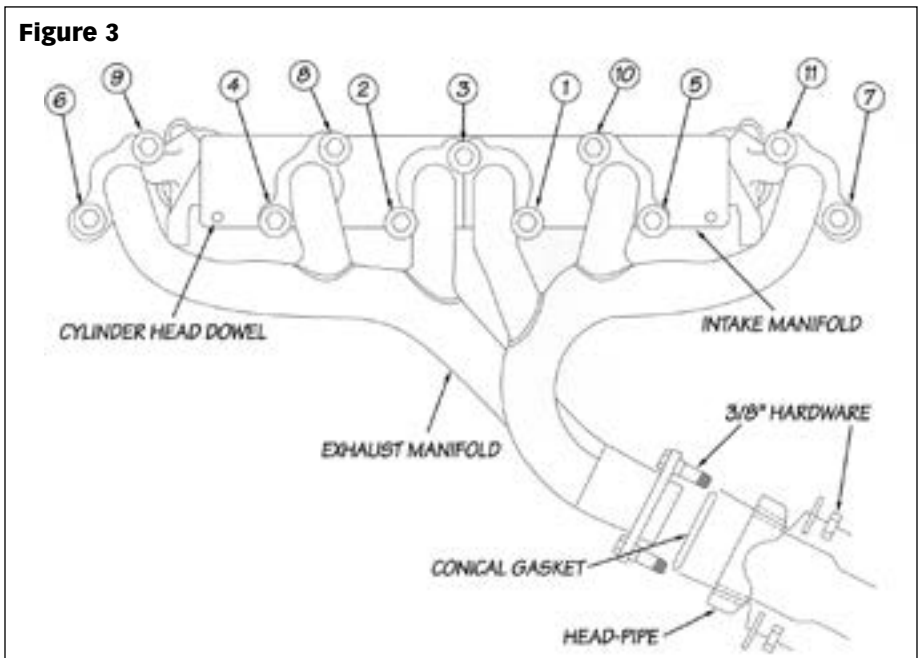
9. Remove the intake manifold from the engine block. Remove the remaining bolts (bolts 3,6 and 7) and remove the exhaust manifold.

10. Inspect the exhaust and intake mounting surfaces of the cylinder head and remove any rust or carbon that might prevent the TorqueTube or intake manifold from sealing. Be careful debris does not enter the engine ports.

11. Install the supplied gasket onto the cylinder head dowels. Place a small amount of anti-seize on the threads of each of the eleven (11) factory intake and exhaust bolts.

12. Install Banks Revolver Manifold onto the cylinder head and support with loosely installed bolts in locations 3,6 and 7.

Figure 3



13. Install bolts 1, 2, 4 and 5 about three turns into engine block. Guide the intake manifold onto the cylinder head dowels. Loosely install all remaining intake/exhaust factory bolts. Be sure Banks Revolver Manifold and intake manifold seats flush as bolts are tightened.

14. Torque all exhaust and intake manifold bolts to 25 ft-lbs in the sequence shown (see **Figure 3**). Insert the supplied conical gasket onto the headpipe. Re-connect headpipe to the Revolver Manifold with the supplied $\frac{3}{8}$ " hardware.

15. If headpipe was removed, tighten and torque headpipe hardware to 35-ft-lbs.

16. Reinstall driver side engine mount using factory hardware.

17. Reinstall the power steering pump and mount bracket to the intake manifold. Reinstall the belt and adjust the belt tensioner to the vehicle specification.

18. Reconnect all vacuum and electrical connections on the intake manifold. Reinstall the throttle cable, transmission pressure line cable and cruise control (if applicable).

19. Reinstall the fuel line. Reconnect the exhaust O₂ sensor.

20. Reinstall the air inlet hose onto throttle body. Reinstall the air cleaner assembly if removed.

21. Reconnect the battery. Start the engine and listen for exhaust leaks. Check the fuel line for any leaks. Once normal operating temperatures have been reached, drive the vehicle and listen for any leaks or rattles. Correct as necessary.

Parts List, Jeep 4.0L TorqueTube System

QTY	DESCRIPTION	P/N
1	Assembly, Revolver Manifold	51326
1	Gasket, Exhaust/Intake	93093
1	Gasket, Conical, Exhaust Outlet	93158
2	Hex Bolt, 3/8-16x2"	91466
4	Washer, 3/8 SAE Flat	91402
2	Nut, lock 3/8-16	91416
1	Lubricant, Anti-Seize 1-oz	90045
2	Decals, Banks Power	96004
1	Decal, CARB E.O.	96212
1	Warranty Statement	96503
1	Card, Product Registration	96399
1	Owners Manual	96433

Gale Banks Engineering
546 Duggan Avenue • Azusa, CA 91702
(626) 969-9600 • Fax (626) 334-1743

Product Information & Sales: (888) 635-4565
Customer Support: (888) 839-5600
Installation Support: (888) 839-2700

bankspower.com